

Product data sheet

Characteristics

TM3DQ16R

Discrete output module, Modicon TM3, 16 relay outputs (screw) 24 VDC



Product availability: Non-Stock - Not normally stocked in distribution facility

Price*: 159.00 USD



Main

Range of product	Modicon TM3
Product or Component Type	Discrete output module
Range Compatibility	Modicon M241 Modicon M251 Modicon M221 Modicon M262
Discrete output type	Relay normally open
Discrete output logic	Positive or negative

Complementary

Discrete I/O number	16
Mechanical durability	20000000 Cycles
Local signalling	For output status 1 LED per channel (green)
Marking	CE
Mounting support	Top hat type TH35-15 rail conforming to IEC 60715 Top hat type TH35-7.5 rail conforming to IEC 60715 plate or panel with fixing kit
Height	3.54 In (90 mm)
Depth	3.33 In (84.6 mm)
Width	1.08 In (27.4 mm)
Product Weight	0.32 Lb(US) (0.145 kg)

Environment

Standards	EN/IEC 61010-2-201 EN/IEC 61131-2
Product Certifications	C-tick cULus
Ambient Air Temperature for Storage	-13...158 °F (-25...70 °C)
Pollution degree	2
Operating altitude	0...6561.68 ft (0...2000 m)

Storage altitude	0.00...9842.52 Ft (0...3000 m)
Shock resistance	15 gn 11 ms

Ordering and shipping details

Category	22533 - M2XX PLC & ACCESSORIES
Discount Schedule	MSX
GTIN	3606480611445
Nbr. of units in pkg.	1
Package weight(Lbs)	8.78 Oz (248.9 g)
Returnability	Yes
Country of origin	TW

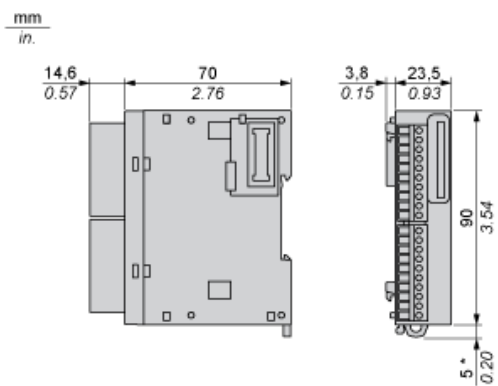
Packing Units

Unit Type of Package 1	PCE
Package 1 Height	2.92 In (7.426 cm)
Package 1 width	4.14 In (10.516 cm)
Package 1 Length	4.95 In (12.583 cm)
Unit Type of Package 2	S04
Number of Units in Package 2	42
Package 2 Weight	26.46 Lb(US) (12 kg)
Package 2 Height	11.81 In (30 cm)
Package 2 width	15.75 In (40 cm)
Package 2 Length	23.62 In (60 cm)

Offer Sustainability

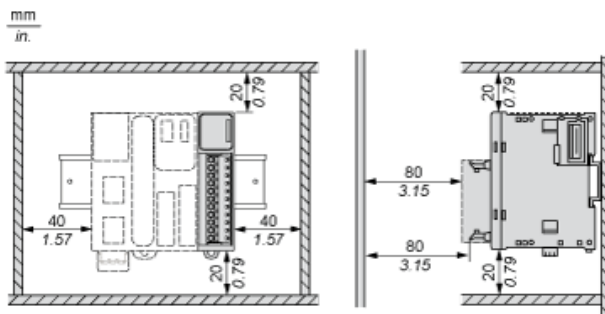
Sustainable offer status	Green Premium product
California proposition 65	WARNING: This product can expose you to chemicals including: Lead and lead compounds, which is known to the State of California to cause cancer and birth defects or other reproductive harm. For more information go to www.P65Warnings.ca.gov
REACH Regulation	REACH Declaration
REACH free of SVHC	Yes
EU RoHS Directive	Pro-active compliance (Product out of EU RoHS legal scope) EU RoHS Declaration
Toxic heavy metal free	Yes
Mercury free	Yes
RoHS exemption information	Yes
China RoHS Regulation	China RoHS Declaration
Environmental Disclosure	Product Environmental Profile
Circularity Profile	End Of Life Information
WEEE	The product must be disposed on European Union markets following specific waste collection and never end up in rubbish bins.
PVC free	Yes

Dimensions

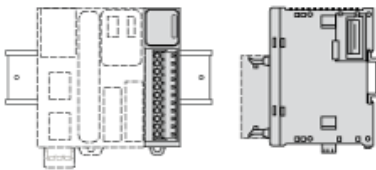


(*) 8.5 mm/0.33 in. when the clamp is pulled out.

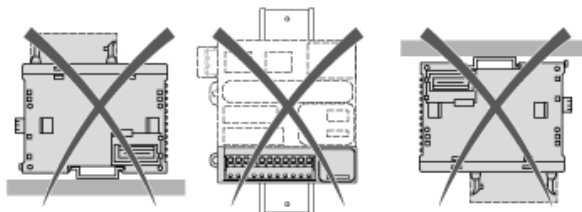
Spacing Requirements



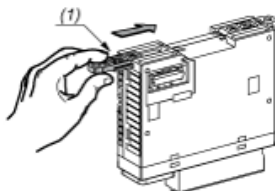
Mounting on a Rail



Incorrect Mounting

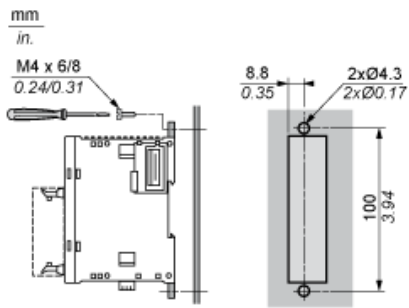


Mounting on a Panel Surface



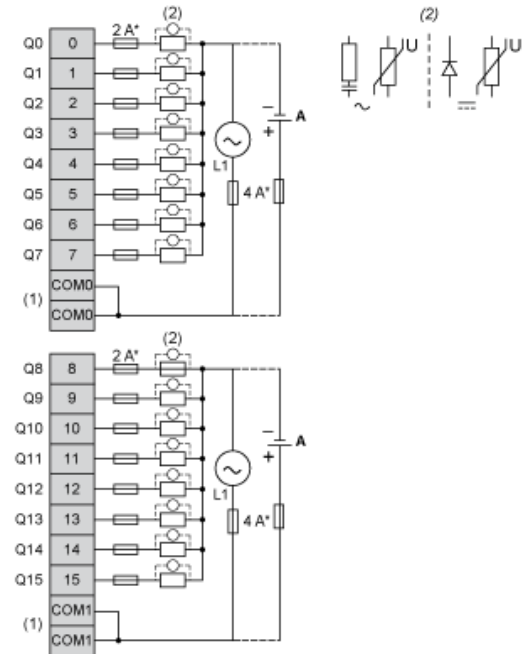
(1) Install a mounting strip

Mounting Hole Layout



Digital Relay Output Module (16-channel)

Wiring Diagram (Positive Logic)



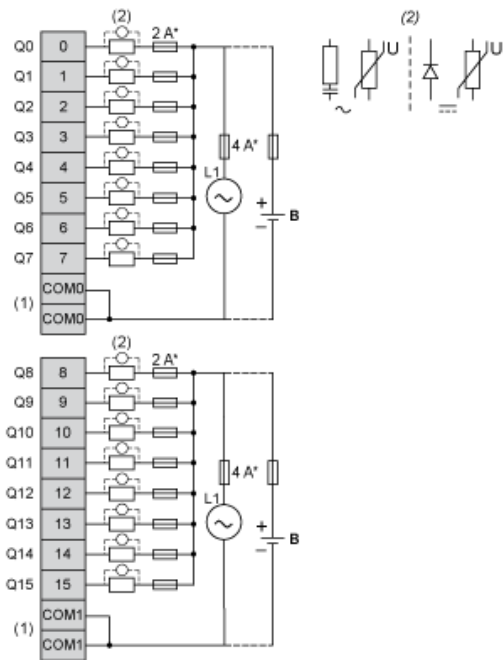
(*) Type T fuse

(1) The COM0 and COM1 terminals are not connected internally.

(2) To improve the life time of the contacts, and to protect from potential inductive load damage, it is recommended to connect a free wheeling diode in parallel

(A) Source wiring (positive logic).

Wiring Diagram (Negative Logic)



(*) Type T fuse

(1) The COM0 and COM1 terminals are not connected internally.

(2) To improve the life time of the contacts, and to protect from potential inductive load damage, it is recommended to connect a free wheeling diode in parallel with the load.

(B) Sink wiring (negative logic)

Product Life Status : **Commercialised**